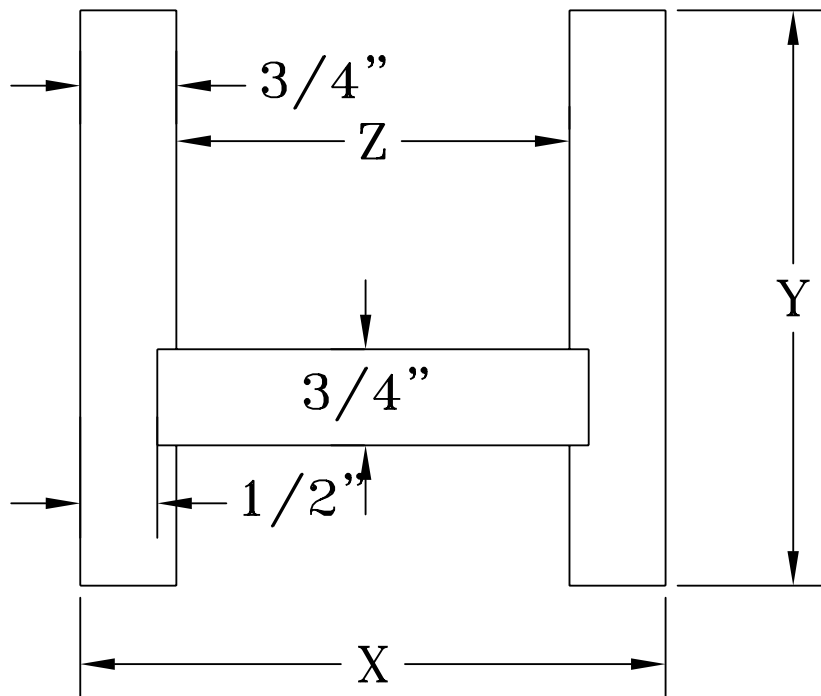
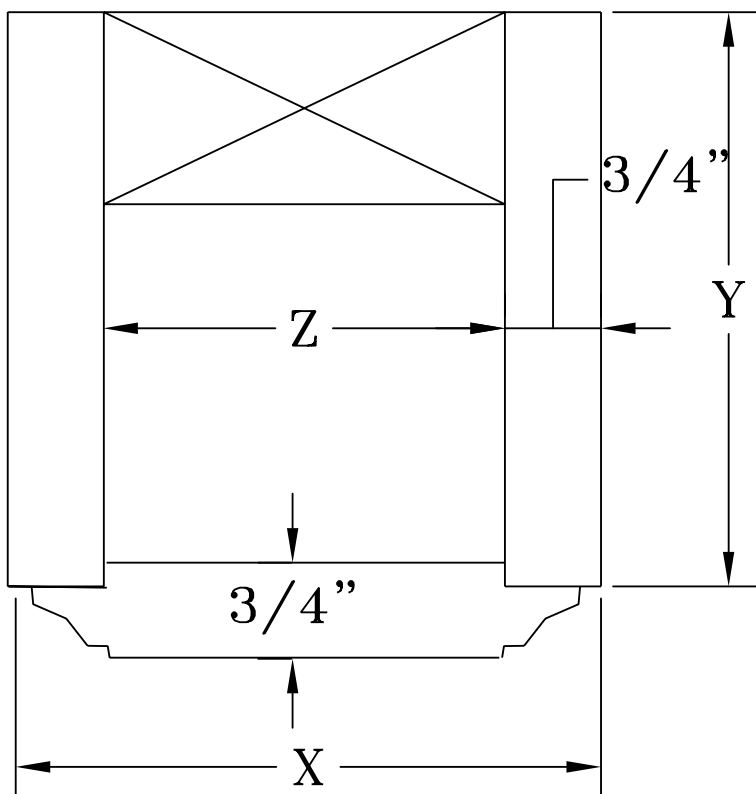


# BEAM PROFILES

FULL SIZE



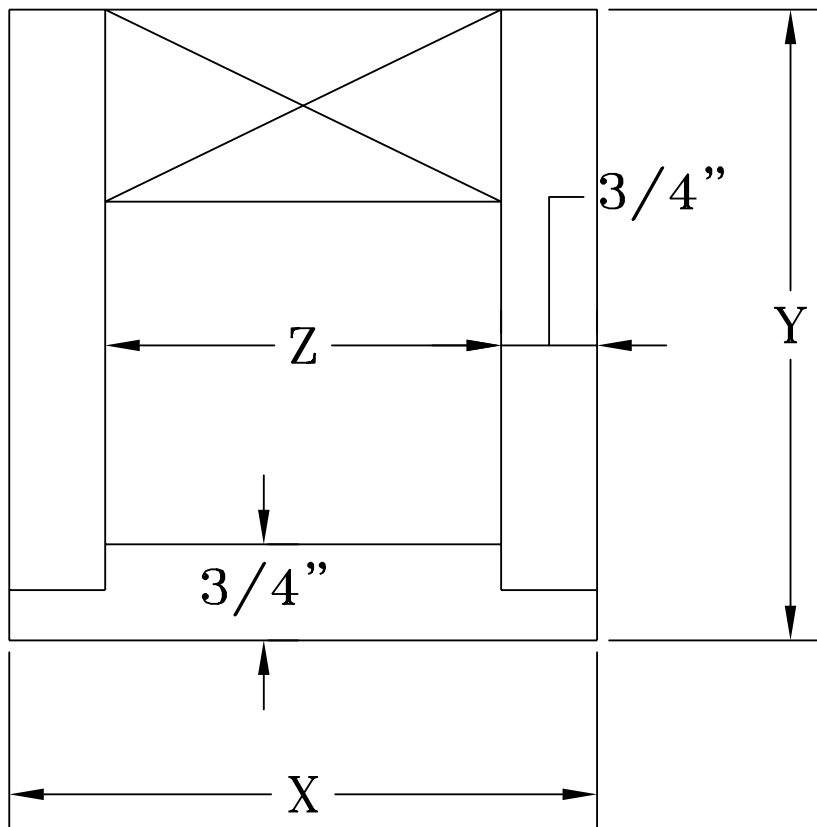
TYPE "A"



TYPE "B"

# BEAM PROFILES

FULL SIZE



TYPE "C"